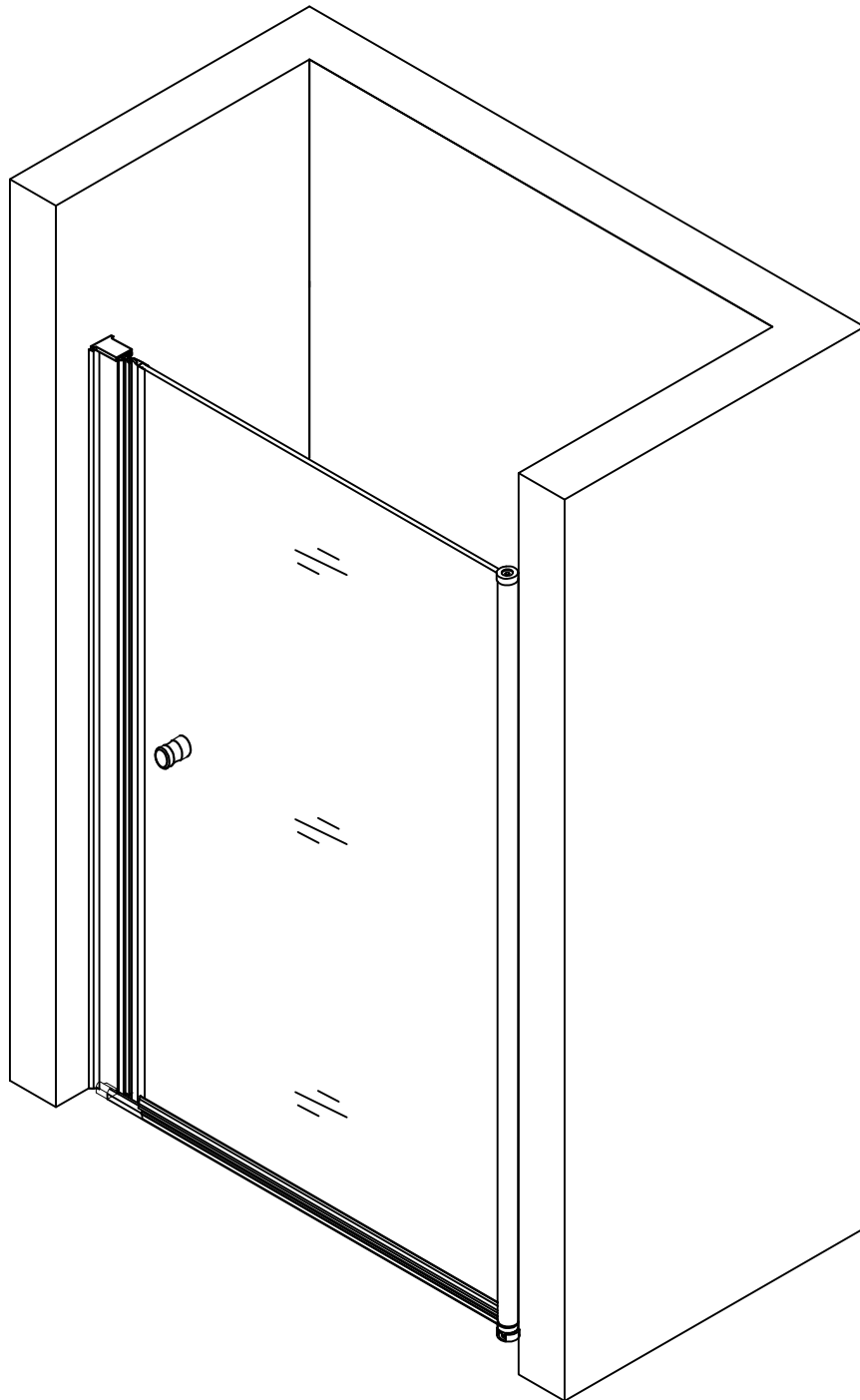
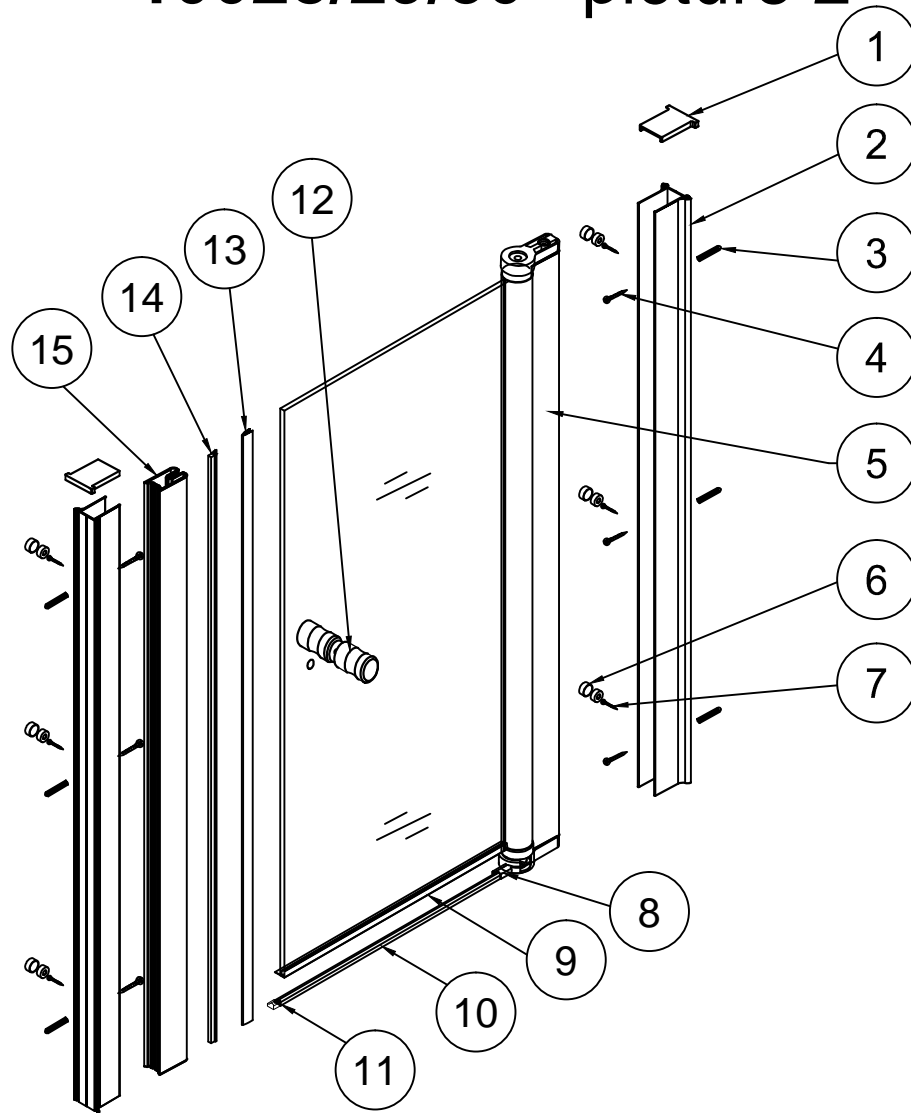


10028/29/30 picture 1

Product Installation Manual

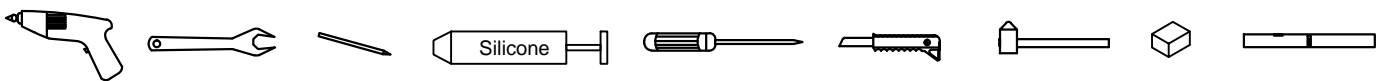


10028/29/30 picture 2


















Installation Instruction

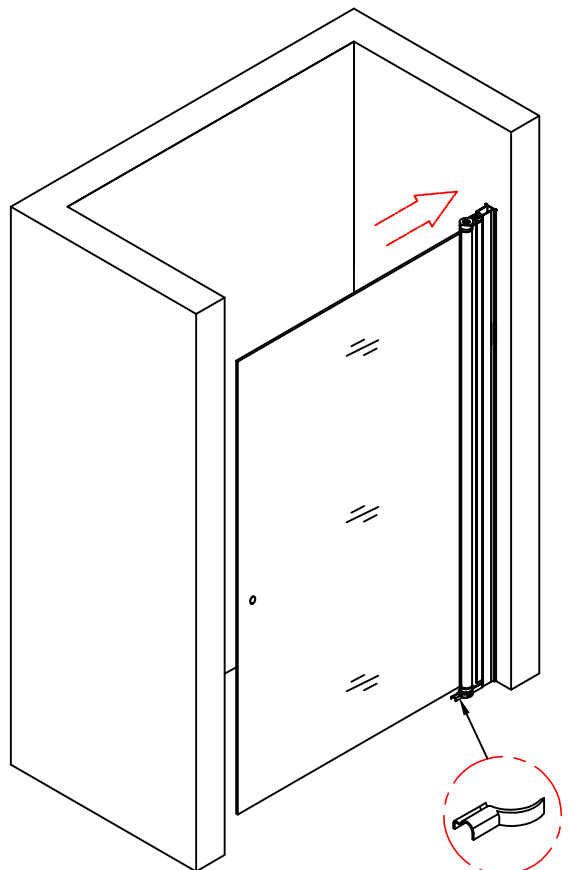
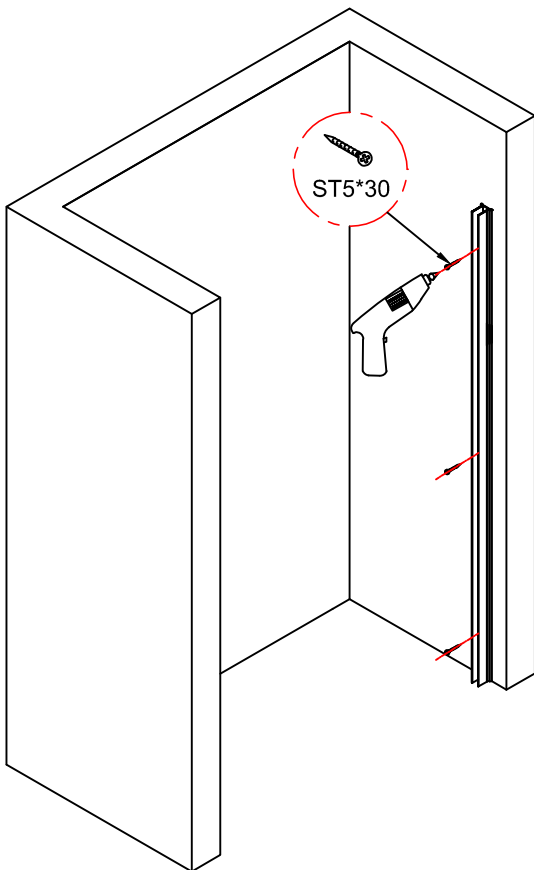
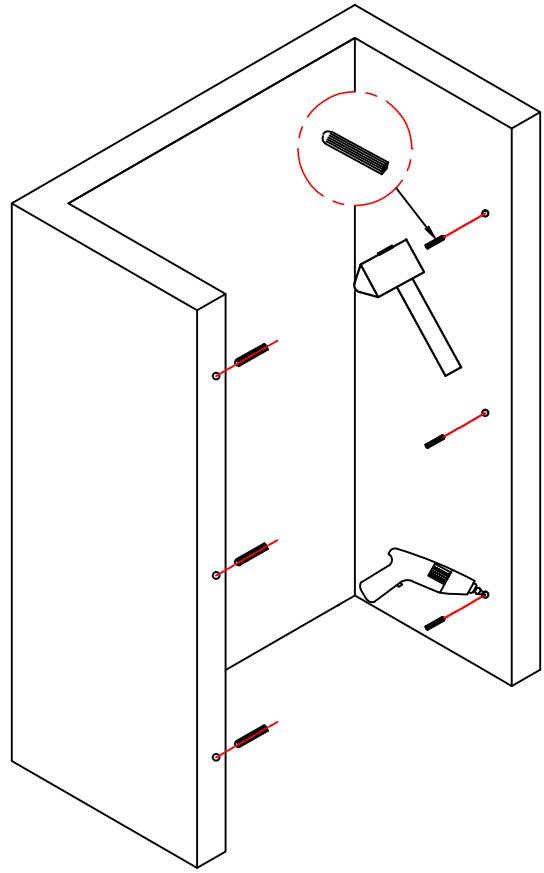
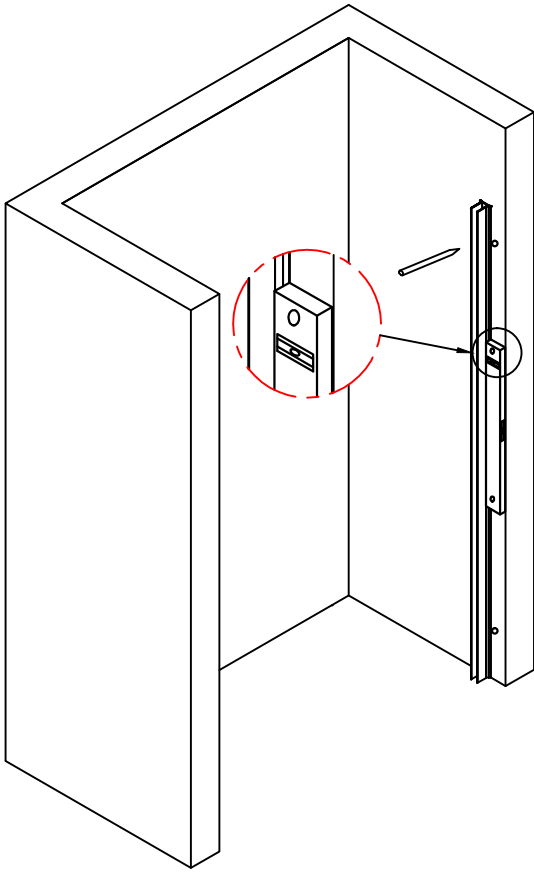
Necessary Tools for Installation



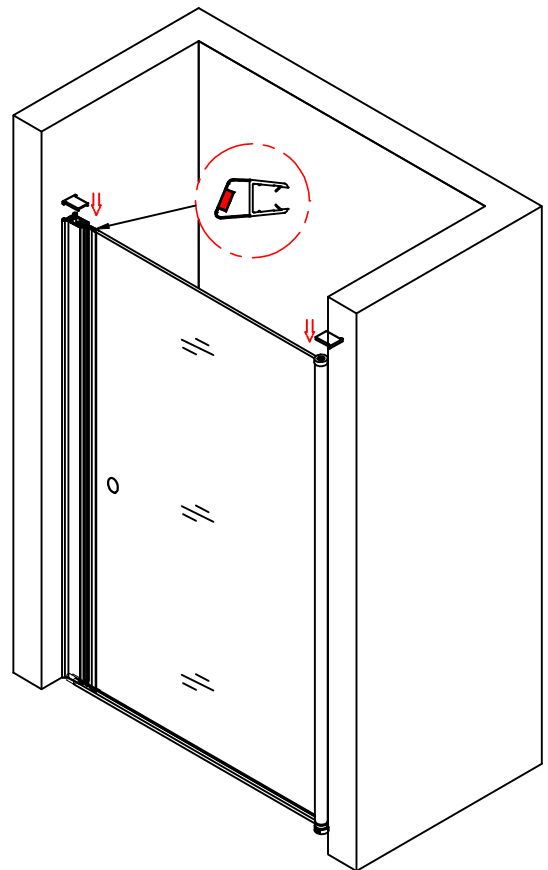
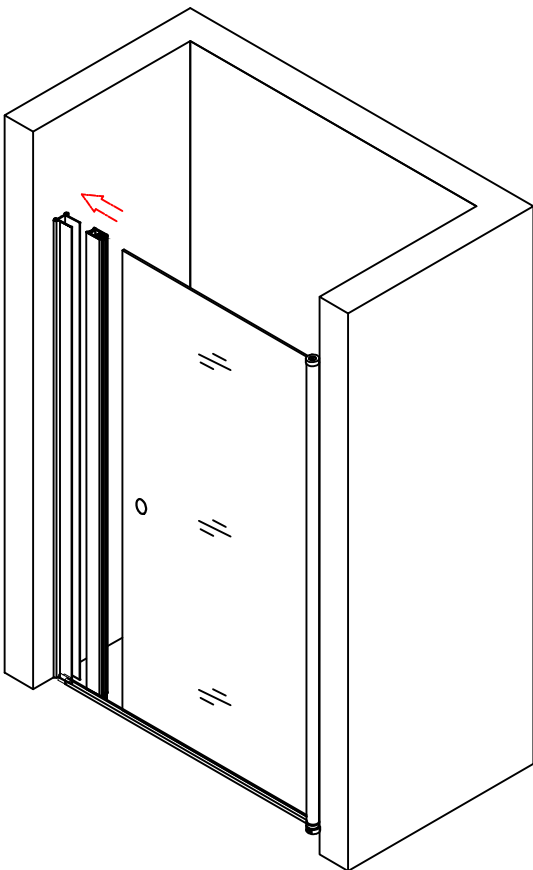
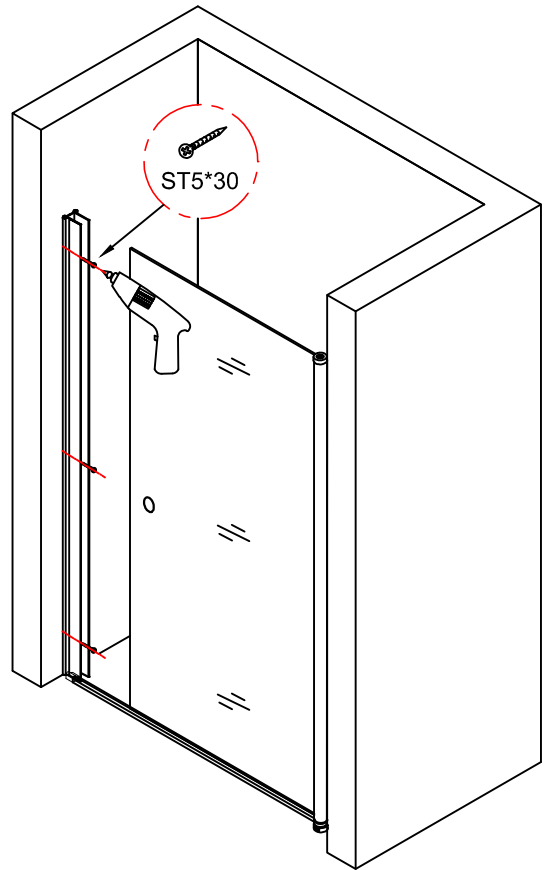
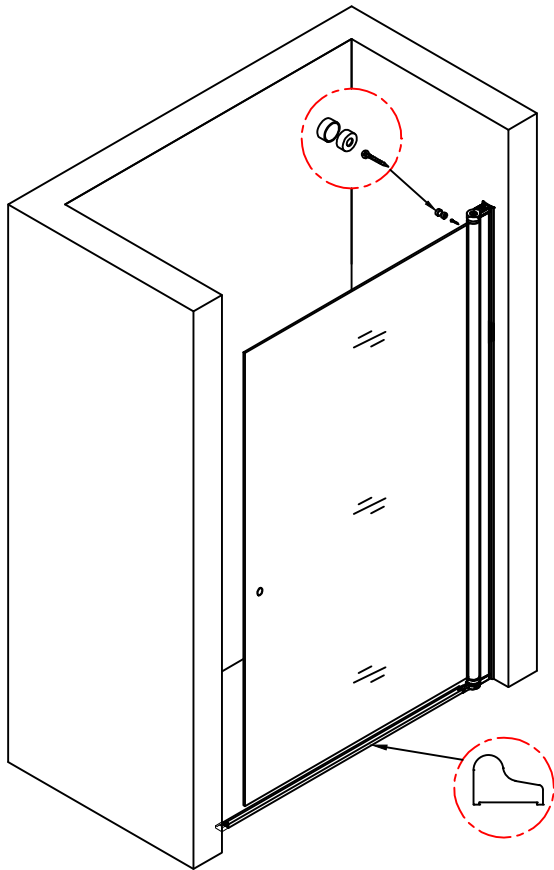
Product Breakdown List

①	 2 PCS	②	 2 PCS	③	 6 PCS	④	 ST5*30 6 PC	⑤	 1 PC
⑥	 6 PCS	⑦	 ST4*12 6 PC	⑧	 1 PC	⑨	 1 PC	⑩	 1 PC
⑪	 1 PC	⑫	 1 PC	⑬	 1 PC	⑭	 1 PC	⑮	 1 PC

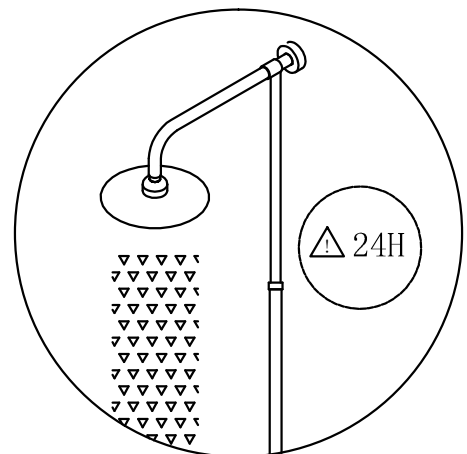
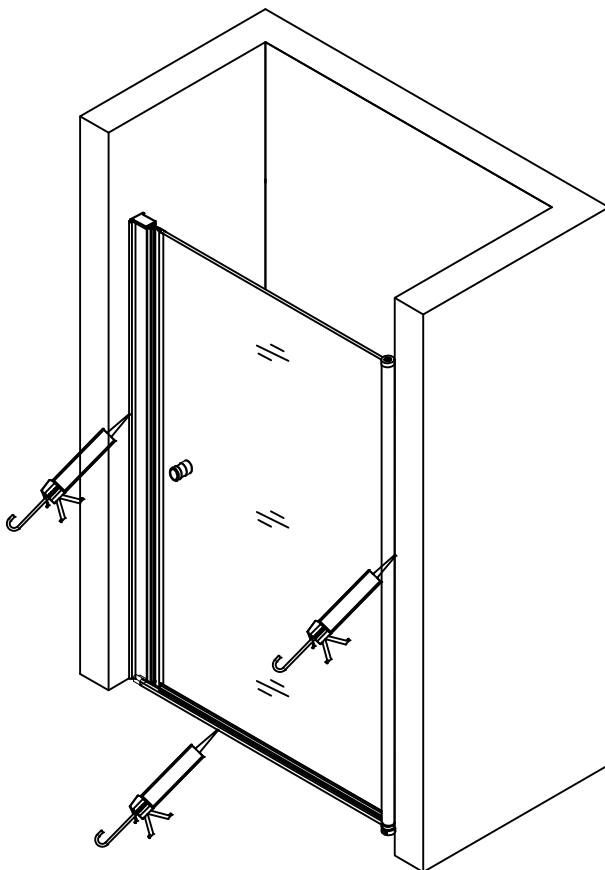
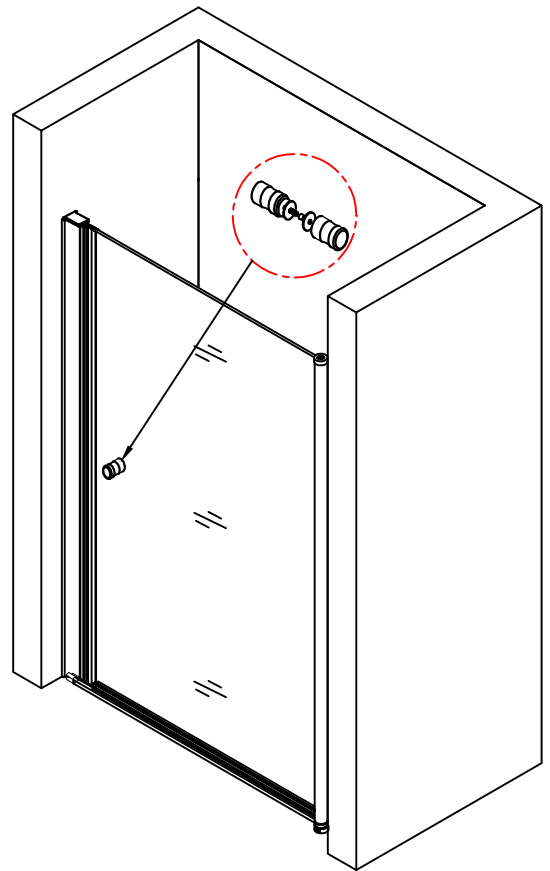
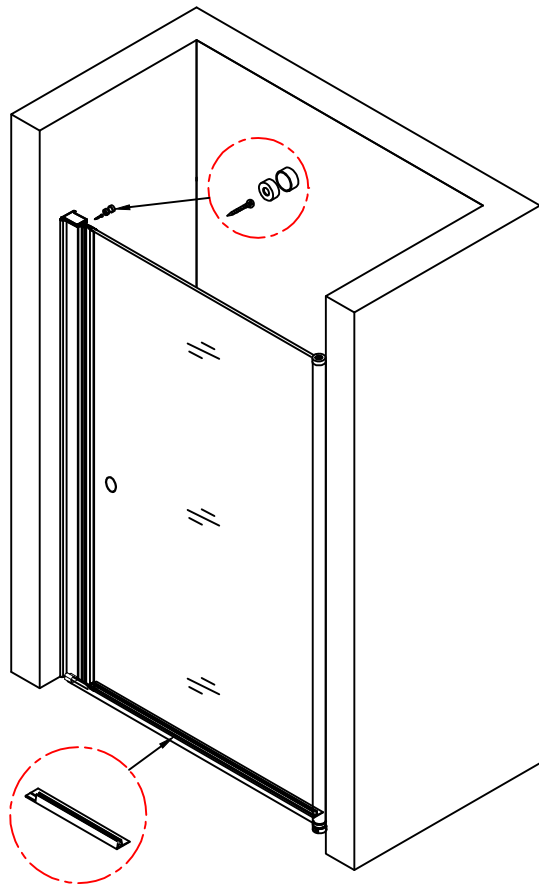
10028/29/30 picture 3



10028/29/30 picture 4



10028/29/30 picture 5



Can't be used within 24H